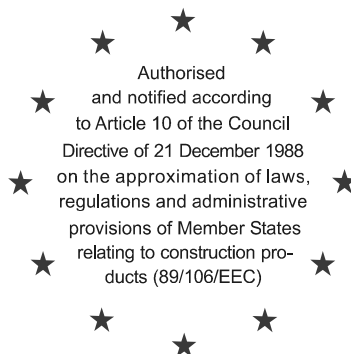


Deutsches Institut für Bautechnik

Anstalt des öffentlichen Rechts

Kolonnenstr. 30 L
10829 Berlin
Germany

Tel.: +49(0)30 787 30 0
Fax: +49(0)30 787 30 320
E-mail: dibt@dibt.de
Internet: www.dibt.de



DIBt

Mitglied der EOTA
Member of EOTA

European Technical Approval ETA-04/0092

English translation prepared by DIBt - Original version in German language

Handelsbezeichnung <i>Trade name</i>	MKT Injektionssystem VMZ A4 <i>MKT Injection System VMZ A4</i>
Zulassungsinhaber <i>Holder of approval</i>	MKT Metall-Kunststoff-Technik GmbH & Co. KG Auf dem Immel 2 67685 Weilerbach
Zulassungsgegenstand und Verwendungszweck <i>Generic type and use of construction product</i>	Kraftkontrolliert spreizender Verbunddübel mit Ankerstange aus nichtrostendem Stahl in den Größen M8, M10, M12, M16, M20 und M24 zur Verankerung im Beton <i>Torque controlled bonded anchor with anchor rod made of stainless steel of sizes M8, M10, M12, M16, M20 and M24 for use in concrete</i>
Geltungsdauer: <i>Validity:</i>	vom <i>from</i> 2 March 2006 bis <i>to</i> 1 November 2009
Herstellwerk <i>Manufacturing plant</i>	MKT Metall-Kunststoff-Technik GmbH & Co. KG Auf dem Immel 2 67685 Weilerbach

Diese Zulassung umfasst
This Approval contains

18 Seiten einschließlich 10 Anhänge
18 pages including 10 annexes

Diese Zulassung ersetzt
This Approval replaces

ETA-04/0092 mit Geltungsdauer vom 16.11.2005 bis 01.11.2009
ETA-04/0092 with validity from 16.11.2005 to 01.11.2009



Europäische Organisation für Technische Zulassungen
European Organisation for Technical Approvals

I LEGAL BASES AND GENERAL CONDITIONS

- 1 This European Technical Approval is issued by Deutsches Institut für Bautechnik in accordance with:
 - Council Directive 89/106/EEC of 21 December 1988 on the approximation of laws, regulations and administrative provisions of Member States relating to construction products¹, modified by Council Directive 93/68/EEC² and Regulation (EC) N° 1882/2003 of the European Parliament and of the Council³;
 - Gesetz über das In-Verkehr-Bringen von und den freien Warenverkehr mit Bauprodukten zur Umsetzung der Richtlinie 89/106/EWG des Rates vom 21. Dezember 1988 zur Angleichung der Rechts- und Verwaltungsvorschriften der Mitgliedstaaten über Bauprodukte und anderer Rechtsakte der Europäischen Gemeinschaften (Bauproduktengesetz - BauPG) vom 28. April 1998⁴, zuletzt geändert durch Gesetz vom ('last amended by law on') 06.01.2004⁵;
 - Common Procedural Rules for Requesting, Preparing and the Granting of European Technical Approvals set out in the Annex to Commission Decision 94/23/EC⁶;
 - Guideline for European Technical Approval of "Metal anchors for use in concrete - Part 5: Bonded anchors", ETAG 001-05.
- 2 Deutsches Institut für Bautechnik is authorized to check whether the provisions of this European Technical Approval are met. Checking may take place in the manufacturing plant. Nevertheless, the responsibility for the conformity of the products to the European Technical Approval and for their fitness for the intended use remains with the holder of the European Technical Approval.
- 3 This European Technical Approval is not to be transferred to manufacturers or agents of manufacturers other than those indicated on page 1, or manufacturing plants other than those indicated on page 1 of this European Technical Approval.
- 4 This European Technical Approval may be withdrawn by Deutsches Institut für Bautechnik, in particular pursuant to information by the Commission according to Article 5(1) of Council Directive 89/106/EEC.
- 5 Reproduction of this European Technical Approval including transmission by electronic means shall be in full. However, partial reproduction can be made with the written consent of Deutsches Institut für Bautechnik. In this case partial reproduction has to be designated as such. Texts and drawings of advertising brochures shall not contradict or misuse the European Technical Approval.
- 6 The European Technical Approval is issued by the approval body in its official language. This version corresponds fully to the version circulated in EOTA. Translations into other languages have to be designated as such.

1 Official Journal of the European Communities N° L 40, 11.2.1989, p. 12

2 Official Journal of the European Communities N° L 220, 30.8.1993, p. 1

3 Official Journal of the European Union N° L 284, 31.10.2003, p. 25

4 Bundesgesetzblatt I, p. 812

5 Bundesgesetzblatt I, p.2, 15

6 Official Journal of the European Communities N° L 17, 20.1.1994, p. 34

II SPECIFIC CONDITIONS OF THE EUROPEAN TECHNICAL APPROVAL

1 Definition of the construction product and intended use

1.1 Definition of the product

The MKT Injection System VMZ A4 is a torque controlled bonded anchor consisting of a mortar cartridge with MKT Injection Mortar VMZ and an anchor rod with hexagon nut and washer in the sizes of M8, M10, M12, M16, M20 and M24. The anchor rod (including nut and washer) are made of stainless steel.

The load transfer is realised by mechanical interlock of several cones in the bonding mortar and then via a combination of bonding and friction forces in the anchorage ground (concrete).

An illustration of the product and intended use is given in Annex 1.

1.2 Intended use

The anchor is intended to be used for anchorages for which requirements for mechanical resistance and stability and safety in use in the sense of the Essential Requirements 1 and 4 of Council Directive 89/106 EEC shall be fulfilled and failure of anchorages made with these products would cause risk to human life and/or lead to considerable economic consequences. Safety in case of fire (Essential Requirement 2) is not covered in this ETA. The anchor is to be used only for anchorages subject to static or quasi-static loading in reinforced or unreinforced normal weight concrete of strength classes C20/25 at minimum and C50/60 at most according to EN 206:2000-12.

The anchor may be anchored in cracked and non-cracked concrete.

The anchor may be used in structures subject to dry internal conditions and also in structures subject to external atmospheric exposure (including industrial and marine environment), or exposure in permanently damp internal conditions, if no particular aggressive conditions exist. Such particular aggressive conditions are e.g. permanent, alternating immersion in seawater or the splash zone of seawater, chloride atmosphere of indoor swimming pools or atmosphere with extreme chemical pollution (e.g. in desulphurization plants or road tunnels where de-icing materials are used).

The anchor sizes M12(h_{ef} 100), M12(h_{ef} 110), M12(h_{ef} 125), M16, M20 and M24 may be installed in dry or wet concrete or in flooded holes. The anchor sizes M8, M10, M12(h_{ef} 70), M12(h_{ef} 80) und M12(h_{ef} 95) may only be installed in dry or wet concrete.

The anchor may be used in the following temperature ranges:

Temperature range: -40 °C to +80 °C (max short term temperature +80 °C and max long term temperature +50 °C)

Temperature range: -40 °C to +120 °C (max short term temperature +120 °C and max long term temperature +72 °C)

The provisions made in this European Technical Approval are based on an assumed working life of the anchor of 50 years. The indications given on the working life cannot be interpreted as a guarantee given by the producer, but are to be regarded only as a means for choosing the right products in relation to the expected economically reasonable working life of the works.

2 Characteristics of product and methods of verification

2.1 Characteristics of product

The anchor corresponds to the drawings and provisions given in Annexes 1 to 6. The characteristic material values, dimensions and tolerances of the anchor not indicated in Annexes 1 to 6 shall correspond to the respective values laid down in the technical documentation⁷ of this European Technical Approval.

The characteristic values for the design of anchorages are given in Annexes 7 to 10.

Each anchor rod shall be marked with the identifying mark of the producer (works symbol), the anchorage depth, the trade name, the thread size, marking of effective anchorage depth, the maximum thickness of the fixture and marking of length and the letters "A4" for the stainless steel in accordance with Annex 2.

Each mortar cartridge shall be marked with the identifying mark of the producer and with the trade name in accordance with Annex 3.

2.2 Methods of verification

The assessment of fitness of the anchor for the intended use in relation to the requirements for mechanical resistance and stability and safety in use in the sense of the Essential Requirements 1 and 4 has been made in accordance with the "Guideline for European Technical Approval of Metal Anchors for Use in Concrete", Part 1 "Anchors in general" and Part 5 "Bonded anchors" as well as the Technical Report TR 018 "Torque-controlled bonded anchors", on the basis of Option 1.

In addition to the specific clauses relating to dangerous substances contained in this European Technical Approval, there may be other requirements applicable to the products falling within its scope (e.g. transposed European legislation and national laws, regulations and administrative provisions). In order to meet the provisions of the Construction Products Directive, these requirements need also to be complied with, when and where they apply.

3 Evaluation and attestation of conformity and CE marking

3.1 System of attestation of conformity

According to the decision 96/582/EG of the European Commission⁸ the system 2(i) (referred to as System 1) of attestation of conformity applies.

This system of attestation of conformity is defined as follows:

System 1: Certification of the conformity of the product by an approved certification body on the basis of:

(a) Tasks for the manufacturer:

(1) factory production control;

(2) further testing of samples taken at the factory by the manufacturer in accordance with a prescribed test plan;

(b) Tasks for the approved body:

(3) initial type-testing of the product;

(4) initial inspection of factory and of factory production control;

(5) continuous surveillance, assessment and approval of factory production control.

Note: Approved bodies are also referred to as "notified bodies".

⁷ The technical documentation of this European Technical Approval is deposited at the Deutsches Institut für Bautechnik and, as far as relevant for the tasks of the approved bodies involved in the attestation of conformity procedure, is handed over to the approved bodies.

⁸ Official Journal of the European Communities L 254 of 08.10.1996.

3.2 Responsibilities

3.2.1 Tasks of the manufacturer

3.2.1.1 Factory production control

The manufacturer shall exercise permanent internal control of production. All the elements, requirements and provisions adopted by the manufacturer shall be documented in a systematic manner in the form of written policies and procedures, including records of results performed. This production control system shall insure that the product is in conformity with this European Technical Approval.

The manufacturer may only use initial / raw / constituent materials stated in the technical documentation of this European Technical Approval.

The factory production control shall be in accordance with the control plan of March 2006 which is part of the technical documentation of this European Technical Approval. The control plan is laid down in the context of the factory production control system operated by the manufacturer and deposited at Deutsches Institut für Bautechnik.⁹

The results of factory production control shall be recorded and evaluated in accordance with the provisions of the control plan.

3.2.1.2 Other tasks of manufacturer

The manufacturer shall, on the basis of a contract, involve a body which is approved for the tasks referred to in section 3.1 in the field of anchors in order to undertake the actions laid down in section 3.2.2. For this purpose, the "control plan" referred to in sections 3.2.1.1 and 3.2.2 shall be handed over by the manufacturer to the approved body involved.

The manufacturer shall make a declaration of conformity, stating that the product is in conformity with the provisions of this European Technical Approval.

3.2.2 Tasks of approved bodies

The approved body shall perform the following tasks in accordance with the provisions laid down in the control plan:

- initial type-testing of the product,
- initial inspection of factory and of factory production control,
- continuous surveillance, assessment and approval of factory production control.

The approved body shall retain the essential points of its actions referred to above and state the results obtained and conclusions drawn in a written report.

The approved certification body involved by the manufacturer shall issue an EC certificate of conformity of the product stating the conformity with the provisions of this European Technical Approval.

In cases where the provisions of the European Technical Approval and its "Control Plan" are no longer fulfilled the certification body shall withdraw the certificate of conformity and inform Deutsches Institut für Bautechnik without delay.

⁹ The control plan is a confidential part of the European Technical Approval and only handed over to the approved body involved in the procedure of attestation of conformity. See section 3.2.2.

3.3 CE marking

The CE marking shall be affixed on each packaging of anchors. The letters "CE" shall be followed by the identification number of the approved certification body, where relevant, and be accompanied by the following additional information:

- the name and address of the producer (legal entity responsible for the manufacture),
- the last two digits of the year in which the CE marking was affixed,
- the number of the EC certificate of conformity for the product,
- the number of the European Technical Approval,
- the number of the guideline for European Technical Approval,
- use category (ETAG 001-1 Option 1),
- size.

4 Assumptions under which the fitness of the product for the intended use was favourably assessed

4.1 Manufacturing

The anchor is manufactured in accordance with the provisions of the European Technical Approval using the automated manufacturing process as identified in the inspection of the plant by the Deutsches Institut für Bautechnik and the approved body and laid down in the technical documentation.

The European Technical Approval is issued for the product on the basis of agreed data/information, deposited with Deutsches Institut für Bautechnik, which identifies the product that has been assessed and judged. Changes to the product or production process, which could result in this deposited data/information being incorrect, should be notified to Deutsches Institut für Bautechnik before the changes are introduced. Deutsches Institut für Bautechnik will decide whether or not such changes affect the ETA and consequently the validity of the CE marking on the basis of the ETA and if so whether further assessment or alterations to the ETA shall be necessary.

4.2 Installation

4.2.1 Design of anchorages

The fitness of the anchor for the intended use is given under the following conditions:

The anchorages are designed in accordance with the "Guideline for European Technical Approval of Metal Anchors for Use in Concrete", Annex C, Method A, for bonded anchors under the responsibility of an engineer experienced in anchorages and concrete work.

Verifiable calculation notes and drawings are prepared taking account of the loads to be anchored.

The position of the anchor is indicated on the design drawings (e.g. position of the anchor relative to reinforcement or to supports, etc.).

4.2.2 Installation of anchors

The fitness for use of the anchor can only be assumed if the anchor is installed as follows:

- anchor installation carried out by appropriately qualified personnel and under the supervision of the person responsible for technical matters of the site,
- use of the anchor only as supplied by the manufacturer without exchanging the components of an anchor,
- anchor installation in accordance with the manufacturer's specifications and drawings using the tools indicated in the technical documentation of this European Technical Approval,

- checks before placing the anchor to ensure that the strength class of the concrete in which the anchor is to be placed is in the range given and is not lower than that of the concrete to which the characteristic loads apply,
- check of concrete being well compacted, e.g. without significant voids,
- keeping the effective anchorage depth,
- edge distance and spacing not less than the specified values without minus tolerances,
- positioning of the drill holes without damaging the reinforcement,
- in case of aborted drill hole: the drill hole shall be filled with mortar,
- Anchor sizes M8, M10, M12(hef 70), M12(hef 80) and M12(hef 95) must not be installed in flooded holes (removing possibly existing water in the drill hole completely),
- cleaning the drill hole by at least 2x blowing / 2x brushing / 2x blowing following the manufacturers installation instructions,
- mortar injection according to the installation instruction by using the equipment including the static mixer shown in Annex 3; the anchor component installation temperature shall be at least +5 °C; during curing of the injection mortar the temperature of the concrete must not fall below -5 °C; observing the curing time according to Annex 4, Table 4 until the anchor may be loaded,
- after the curing time fixing the member to be anchored by using a calibrated torque wrench by not exceeding the torque moment given in Annex 4.

5 Indications to the manufacturer

5.1 Responsibility of the manufacturer

It is in the responsibility of the manufacturer to ensure that the information on the specific conditions according to 1 and 2 including Annexes referred to and 4.2.1 and 4.2.2 as well as 5.1 is given to those who are concerned. This information may be made by reproduction of the respective parts of the European Technical Approval. In addition all installation data shall be shown clearly on the package and/or on an enclosed instruction sheet, preferably using illustration(s).

The minimum data required are:

- drill bit,
- hole depth,
- diameter of anchor rod,
- minimum effective anchorage depth,
- maximum thickness of the fixture,
- information on the installation procedure, including cleaning of the hole with the cleaning equipments, preferably by means of an illustration,
- anchor component installation temperature,
- ambient temperature of the concrete during installation of the anchor,
- admissible processing time (open time) of the mortar,
- curing time until the anchor may be loaded as a function of the ambient temperature in the concrete during installation,
- torque moment,
- identification of the manufacturing batch.

All data shall be presented in a clear and explicit form.

5.2 Packaging, transport and storage

The injection cartridges shall be protected against sun radiation and shall be stored according to the manufacturer's installation instructions in dry condition at temperatures of at least +5 °C to not more than +25 °C.

Mortar cartridges with expired shelf life must no longer be used.

The anchor shall only be packaged and supplied as a complete unit. Mortar cartridges may be packed separately from anchor rods (including nut and washer).

The manufacturer's installation instruction shall indicate that the MKT Injection Mortar VMZ shall be used with the corresponding anchor rods of the manufacturer according to Annex 2 and 3.

Dipl.-Ing. Erich Jasch

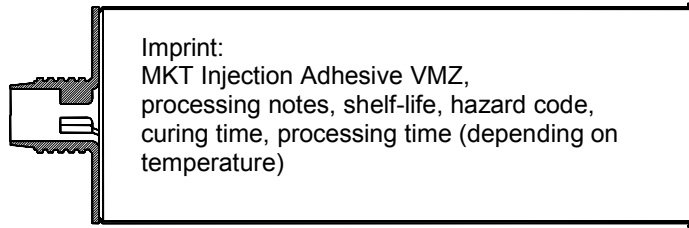
Beglaubigt:
Müller

Injection System VMZ

Sealing cap



Mortar cartridge



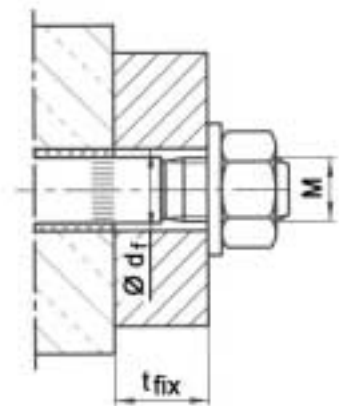
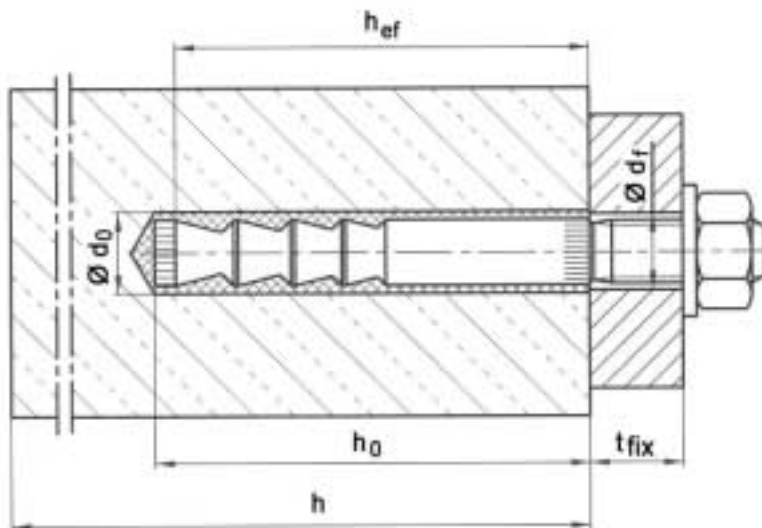
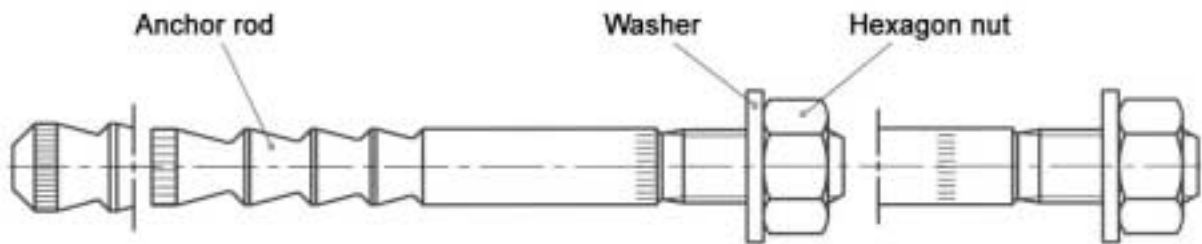
Static mixer



Steel brush



Pneumatic nozzle



MKT Injection System VMZ A4

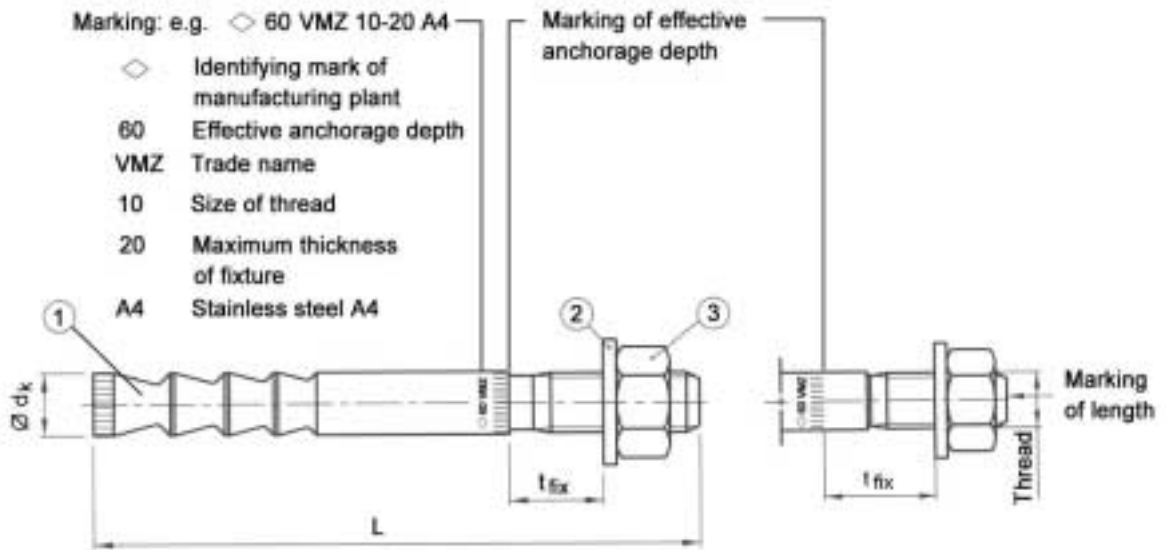
Product and intended use

Annex 1

of European
Technical Approval

ETA-04/0092

Anchor rods



marking of length	B	C	D	E	F	G	H	I	J	K	L	M
length of anchor min \geq	50,8	63,5	76,2	88,9	101,6	114,3	127,0	139,7	152,4	165,1	177,8	190,5
length of anchor max $<$	63,5	76,2	88,9	101,6	114,3	127,0	139,7	152,4	165,1	177,8	190,5	203,2



marking of length	N	O	P	Q	R	S	T	U	V	W	X	Y	Z
length of anchor min \geq	203,2	215,9	228,6	241,3	254,0	279,4	304,8	330,2	355,6	381,0	406,4	431,8	457,2
length of anchor max $<$	215,9	228,6	241,3	254,0	279,4	304,8	330,2	355,6	381,0	406,4	431,8	457,2	482,6

Table 1a: Dimensions of anchor rod M8 - M12

Anchor size		40 M8	50 M8	60 M10	75 M10	70 M12	80 M12	95 M12	100 M12	110 M12	125 M12
1	Anchor rod	Thread	M8	M8	M10	M10	M12	M12	M12	M12	M12
		$\varnothing d_k$	= 8.0	8.0	9.7	9.7	12.5	12.5	12.5	12.5	12.5
		t_{fix} min	\geq 1	1	1	1	1	1	1	1	1
		t_{fix} max	\leq 3000	3000	3000	3000	3000	3000	3000	3000	3000
		L min	53	64	76	91	91	101	116	121	131
		L max	3052	3063	3075	3090	3090	3100	3115	3120	3130
3	Hexagon nut	SW	13	13	17	17	19	19	19	19	19

Dimensions in mm

Table 1b: Dimensions of anchor rod M16 – M24

Anchor size		90 M16	105 M16	125 M16	145 M16	115 M20	170 M20 (LG)	190 M20 (LG)	200 M24 (LG)	225 M24 (LG)
1	Anchor rod	Thread	M16	M16	M16	M16	M20	M20	M20	M24
		$\varnothing d_k$	= 16.5	16.5	16.5	16.5	19.7	22.0	22.0	24.0
		t_{fix} min	\geq 1	1	1	1	1	20 (1)	20 (1)	20 (1)
		t_{fix} max	\leq 3000	3000	3000	3000	3000	3000	3000	3000
		L min	115	130	151	171	144	204	224	241
		L max	3114	3129	3150	3170	3143	3203	3223	3240
3	Hexagon nut	SW	24	24	24	30	30	30	36	36

MKT Injection System VMZ A4

Dimensions of anchor rod

Annex 2

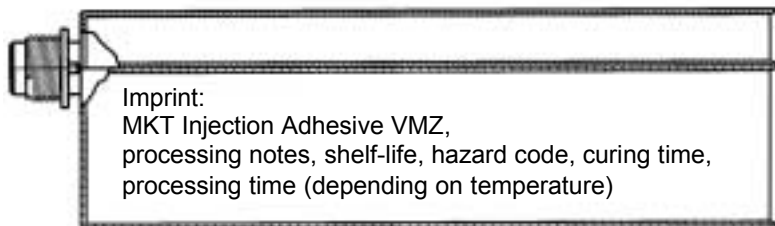
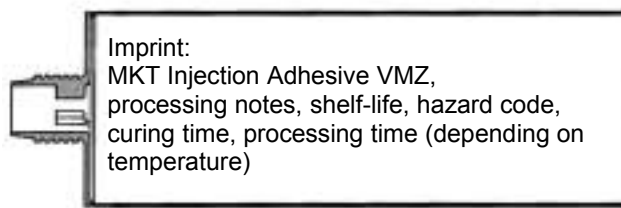
of European
Technical Approval

ETA-04/0092

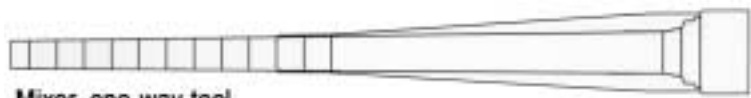
Table 2: Materials

Part	Designation	
1	Anchor rod	Stainless steel, 1.4401, 1.4404, 1.4571, EN 10088, coated
2	Washer acc. to EN ISO 7089, or EN ISO 7093, or EN ISO 7094	Stainless steel, 1.4401, 1.4571, EN 10088
3	Hexagon nut DIN 934	ISO 3506, A4-70, 1.4401, 1.4571, EN 10088

Mortar cartridges
(different container sizes)



Sealing cap



Mixer, one-way tool, must be changed in case of working interruption

Table 3: Designation and material

Part	Designation	Material
4	Mortar cartridge Mixing ratio 1 :10	Vinylester resin, styrene free
	Sealing cap	

MKT Injection System VMZ A4

**Material of anchor rod,
mortar cartridge, material**

Annex 3

of European
Technical Approval

ETA-04/0092

Table 4: Maximum processing time and minimum curing time

Temperature [°C] in the drill hole	Maximum processing time [minutes]	Minimum curing time [minutes]	
		dry concrete	wet concrete
+ 40 °C	1.4	15	30
+ 35 °C	2	20	40
+ 30 °C	4	25	50
+ 20 °C	6	45	90
+ 10 °C	12	80	160
+ 5 °C	20	120	240
0 °C	45	180	360
- 5 °C	90	330	660

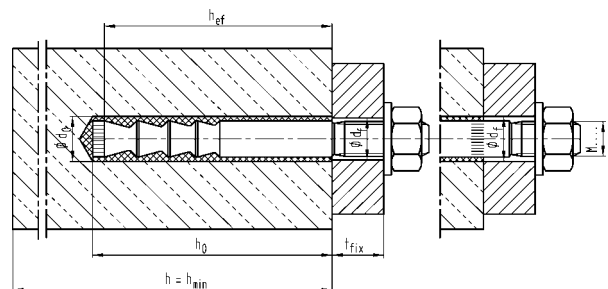
Table 5a: Installation parameters M8 – M12

Anchor size		[mm]	40	50	60	75	70	80	95	100	110	125
			M8	M8	M10	M10	M12	M12	M12	M12	M12	M12
Effective anchorage depth	$h_{ef} =$	[mm]	40	50	60	75	70	80	95	100	110	125
Nominal diameter of drill hole	$d_0 =$	[mm]	10	10	12	12	14	14	14	14	14	14
Cutting diameter of drill hole	$d_{cut} \leq$	[mm]	10.45	10.45	12.5	12.5	14.5	14.5	14.5	14.5	14.5	14.5
Depth of drill hole	$h_0 \geq$	[mm]	42	55	65	80	75	85	100	105	115	130
Diameter of steel brush	$D \geq$	[mm]	10.8	10.8	13.0	13.0	15.0	15.0	15.0	15.0	15.0	15.0
Installation torque	$T_{inst} =$	[Nm]	10	10	20	20	40	40	40	40	40	40
Diameter of clearance hole in the fixture	$d_f \leq$	[mm]	9	9	12	12	14	14	14	14	14	14

Table 5b: Installation parameters M16 – M24

Anchor size		[mm]	90	105	125	145	115	170	190	200	225
			M16	M16	M16	M16	M20	M20 (LG)	M20 (LG)	M24 (LG)	M24 (LG)
Effective anchorage depth	$h_{ef} =$	[mm]	90	105	125	145	115	170	190	200	225
Nominal diameter of drill hole	$d_0 =$	[mm]	18	18	18	18	22	24	24	26	26
Cutting diameter of drill hole	$d_{cut} \leq$	[mm]	18.5	18.5	18.5	18.5	22.5	24.5	24.5	26.5	26.5
Depth of drill hole	$h_0 \geq$	[mm]	98	113	133	153	120	180	200	215	240
Diameter of steel brush	$D \geq$	[mm]	19.0	19.0	19.0	19.0	23.0	25.0	25.0	27.0	27.0
Installation torque	$T_{inst} =$	[Nm]	60	60	60	60	80	80	80	120	120
Diameter of clearance hole in the fixture	$d_f \leq$	[mm]	18	18	18	18	22	24 (22)	24 (22)	26	26

Size	Installation in		
	dry concrete	wet concrete	flooded hole
M8	yes	yes	no
M10	yes	yes	no
70 M12	yes	yes	no
80 M12			
95 M12			
100 M12	yes	yes	yes
110 M12			
125 M12			
M16	yes	yes	yes
M20	yes	yes	yes
M24	yes	yes	yes



MKT Injection System VMZ A4

**Processing time and curing time,
installation parameters**

Annex 4

of European
Technical Approval

ETA-04/0092

Table 6a: Standard minimum thickness of concrete and respective minimum spacing and edge distance M8 – M12

Anchor size			40 M8	50 M8	60 M10	75 M10	70 M12	80 M12	95 M12	100 M12	110 M12	125 M12
Minimum thickness of concrete	$h_{min,1}$	[mm]	100	100	120	150	140	160	190	200	220	250
Cracked concrete												
Minimum spacing	s_{min}	[mm]	40	40	50	50	55	55	55	55	55	55
	for $c \geq$	[mm]	40	40	55	55	90	80	80	80	80	80
Minimum edge distance	c_{min}	[mm]	40	40	50	50	55	55	55	55	55	55
	for $s \geq$	[mm]	40	40	55	55	90	80	80	80	80	80
Non-cracked concrete												
Minimum spacing	s_{min}	[mm]	40	40	50	50	70	70	70	70	70	70
	for $c \geq$	[mm]	40	40	60	60	100	100	100	100	100	100
Minimum edge distance	c_{min}	[mm]	40	40	50	50	80	70	70	70	70	70
	for $s \geq$	[mm]	40	40	60	60	160	135	135	135	135	135

Table 6b: Standard minimum thickness of concrete and respective minimum spacing and edge distance M16 – M24

Anchor size			90 M16	105 M16	125 M16	145 M16	115 M20	170 M20 (LG)	190 M20 (LG)	200 M24 (LG)	225 M24 (LG)
Minimum thickness of concrete	$h_{min,1}$	[mm]	180	200	250	290	230	340	380	400	450
Cracked concrete											
Minimum spacing	s_{min}	[mm]	70	70	70	70	80	90	90	100	100
	for $c \geq$	[mm]	120	120	90	90	80	90	90	100	100
Minimum edge distance	c_{min}	[mm]	70	70	70	70	80	90	90	100	100
	for $s \geq$	[mm]	130	130	110	110	80	90	90	100	100
Non-cracked concrete											
Minimum spacing	s_{min}	[mm]	80	80	70	70	80	95	95	105	105
	for $c \geq$	[mm]	120	120	90	90	80	95	95	105	105
Minimum edge distance	c_{min}	[mm]	80	80	70	70	80	95	95	105	105
	for $s \geq$	[mm]	160	160	140	140	80	95	95	105	105

MKT Injection System VMZ A4**Installation parameters and minimum thickness of member, minimum thickness of concrete, minimum spacing and edge distance****Annex 5**of European
Technical Approval**ETA-04/0092**

Table 7a: Reduced minimum thickness of concrete and respective minimum spacing and edge distance M8 – M12

Anchor size			40 M8	50 M8	60 M10	75 M10	70 M12	80 M12	95 M12	100 M12	110 M12	125 M12
Minimum thickness of concrete	$h_{min,2} \geq$	[mm]	80	80	100	110 100 ¹⁾	100	110	130	130	140	160
Cracked concrete												
Minimum spacing	s_{min}	[mm]	40	40	50	50	70	60	60	55	55	55
	for $c \geq$	[mm]	40	40	120	120	100	120	120	120	120	120
Minimum edge distance	c_{min}	[mm]	40	40	50	50	75	70	70	60	60	60
	for $s \geq$	[mm]	40	40	120	120	150	160	160	140	140	140
Non-cracked concrete												
Minimum spacing	s_{min}	[mm]	40	40	50	50	60	60	60	55	55	55
	for $c \geq$	[mm]	40	40	120	120	170	160	160	120	120	120
Minimum edge distance	c_{min}	[mm]	40	40	50	50	80	70	70	60	60	60
	for $s \geq$	[mm]	40	40	120	120	170	160	160	140	140	140

Table 7b: Reduced minimum thickness of concrete and respective minimum spacing and edge distance M16 – M24

Anchor size			90 M16	105 M16	125 M16	145 M16	115 M20	170 M20 (LG)	190 M20 (LG)	200 M24 (LG)	225 M24 (LG)
Minimum thickness of concrete	$h_{min,2}$	[mm]	130	150	170 (160) ¹⁾	190 (180) ¹⁾	160	230 (220) ¹⁾	250 (240) ¹⁾	270 (260) ¹⁾	300 (290) ¹⁾
Cracked concrete											
Minimum spacing	s_{min}	[mm]	70	70	70	70	80	95	95	105	105
	for $c \geq$	[mm]	140	120	140	140	80	95	95	105	105
Minimum edge distance	c_{min}	[mm]	70	70	70	70	80	95	95	105	105
	for $s \geq$	[mm]	150	150	140	140	80	95	95	105	105
Non-cracked concrete											
Minimum spacing	s_{min}	[mm]	80	80	70	70	80	95	95	105	105
	for $c \geq$	[mm]	175	175	140	140	80	95	95	105	105
Minimum edge distance	c_{min}	[mm]	80	80	70	70	80	95	95	105	105
	for $s \geq$	[mm]	175	175	140	140	80	95	95	105	105

¹⁾ The remote face of the concrete member shall be inspected to ensure there has been no break-through by drilling. In case of break-through the ground of the drill hole shall be closed with high strength mortar. The full bonded length h_{ef} shall be achieved and any potential loss of injection mortar shall be compensated.

MKT Injection System VMZ A4

Reduced minimum thickness of concrete,
Minimum spacing and edge distance

Annex 6

of European
Technical Approval

ETA-04/0092

Table 8a: Characteristic values of resistance to tension loads for design method A M8 – M12

Anchor size		40 M8	50 M8	60 M10	75 M10	70 M12	80 M12	95 M12	100 M12	110 M12	125 M12	
Steel failure												
Characteristic tension resistance	$N_{Rk,s}$	[kN]	15	18	25	25	49	54	54	57	57	
Partial safety factor	$\gamma_{Ms}^{4)}$		1.5									
Pullout and splitting for standard minimum thickness of concrete												
Minimum thickness of concrete	$h_{min,1} \geq$	[mm]	100	100	120	150	140	160	190	200	220	250
Characteristic resistance in cracked concrete $N_{Rk,p}$ C20/25	$50^\circ C^2)/80^\circ C^3)$	[kN]	- ¹⁾									
	$72^\circ C^2)/120^\circ C^3)$	[kN]	5	7.5	12	12	16	20	20	30	30	30
Characteristic resistance in non-cracked concrete $N_{Rk,p}$ C20/25	$50^\circ C^2)/80^\circ C^3)$	[kN]	7.5	9	16	20	20	- ¹⁾	30	40	35	40
	$72^\circ C^2)/120^\circ C^3)$	[kN]	6	9	16	16	16	25	25	30	30	30
with $C_{cr,sp} = 1.5 h_{ef}$	$C_{cr,sp}$	[mm]	1.5 h_{ef}									
Characteristic resistance in non-cracked concrete $N_{Rk,p}$ C20/25	$50^\circ C^2)/80^\circ C^3)$	[kN]	9	- ¹⁾					40	- ¹⁾	50	50
	$C_{cr,sp}$	[mm]	3 h_{ef}	2.5 h_{ef}	3.5 h_{ef}	2.5 h_{ef}	1.5 h_{ef}	2.5 h_{ef}	2 h_{ef}	3.0 h_{ef}	2.5 h_{ef}	
Partial safety factor	$\gamma_{Mc}^{4)5)}$	-	1.5									
Pullout and splitting for reduced minimum thickness of concrete												
Minimum thickness of concrete	$h_{min,2} \geq$	[mm]	80	80	100	100	100	110	125	130	140	160
Characteristic resistance in cracked concrete $N_{Rk,p}$ C20/25	$50^\circ C^2)/80^\circ C^3)$	[kN]	- ¹⁾									
	$72^\circ C^2)/120^\circ C^3)$	[kN]	5	7.5	12	12	16	20	20	30	30	30
Characteristic resistance in non-cracked concrete $N_{Rk,p}$ C20/25	$50^\circ C^2)/80^\circ C^3)$	[kN]	7.5	-	16	16	20	25	25	30	30	30
	$72^\circ C^2)/120^\circ C^3)$	[kN]	-	-	16	16	16	25	25	30	30	30
with $C_{cr,sp} = 1.5 h_{ef}$	$C_{cr,sp}$	[mm]	1.5 h_{ef}									
Characteristic resistance in non-cracked concrete $N_{Rk,p}$ C20/25	$50^\circ C^2)/80^\circ C^3)$	[kN]	9	- ¹⁾					40	- ¹⁾	50	50
	$C_{cr,sp}$	[mm]	3.0 h_{ef}	3.5 h_{ef}	3.0 h_{ef}	3.5 h_{ef}	3.5 h_{ef}	3.0 h_{ef}	3.5 h_{ef}	3.0 h_{ef}	3.0 h_{ef}	3.0 h_{ef}
Partial safety factor	$\gamma_{Mc}^{4)5)}$	-	1.5									
Concrete cone failure												
Effective anchorage depth	h_{ef}	[mm]	40	50	60	75	70	80	95	100	110	125
Spacing	$S_{cr,N}$	[mm]	3 h_{ef}									
Edge distance	$C_{cr,N}$	[mm]	1.5 h_{ef}									
Partial safety factor	$\gamma_{Mc}^{4)}$	-	1.5									
Increasing factors for $N_{Rk,p}$	C25/30	-	1.10									
	C30/37	-	1.22									
	C35/45	-	1.34									
	C40/50	-	1.41									
	C45/55	-	1.48									
	C50/60	-	1.55									

¹⁾ Pullout failure is not decisive ²⁾ Maximum long term temperature ³⁾ Maximum short term temperature

⁴⁾ In absence of other national regulations ⁵⁾ The partial safety factor $\gamma_2 = 1.0$ is included

Table 9a: Displacements under tension loads M8 – M12

Anchor size		40 M8	50 M8	60 M10	75 M10	70 M12	80 M12	95 M12	100 M12	110 M12	125 M12	
Tension load in cracked concrete	N	[kN]	4.3	6.1	8.0	11.1	10.0	12.3	15.9	17.1	19.8	24.0
Displacement	δ_{N0}	[mm]	0.5	0.5	0.5	0.6	0.6	0.6	0.6	0.6	0.7	0.7
	$\delta_{N\infty}$	[mm]	1.3									
Tension load in non-cracked concrete	N	[kN]	4.3	8.5	11.1	15.6	14.1	17.2	19.0	24.0	23.8	23.8
Displacement	δ_{N0}	[mm]	0.2	0.4	0.4	0.4	0.4	0.4	0.4	0.4	0.6	0.6
	$\delta_{N\infty}$	[mm]	1.3									

MKT Injection System VMZ A4

Design method A, M8 - M12
Characteristic values of resistance to tension loads,
Displacements

Annex 7

of European
 Technical Approval

ETA-04/0092

**Table 8b: Characteristic values of resistance to tension loads for design method A
M16 – M24**

Anchor size		90 M16	105 M16	125 M16	145 M16	115 M20	170 M20 (LG)	190 M20 (LG)	200 M24 (LG)	225 M24 (LG)		
Steel failure												
Characteristic tension resistance	$N_{Rk,s}$	[kN]	88	95	111	111	114	165	165	194	194	
Partial safety factor	γ_{Ms} ⁴⁾		1.5			1.68	1.5					
Pullout and splitting for standard minimum thickness of concrete												
Minimum thickness of concrete	$h_{min,1} \geq$	[mm]	180	200	250	290	230	340	380	400	450	
Characteristic resistance in cracked concrete $N_{Rk,p}$ C20/25	$50^\circ C^2)/80^\circ C^3)$ $72^\circ C^2)/120^\circ C^3)$	[kN]	- ¹⁾									
Characteristic resistance in non-cracked concrete $N_{Rk,p}$ C20/25	$50^\circ C^2)/80^\circ C^3)$ $72^\circ C^2)/120^\circ C^3)$	[kN]	20	30	50	50	30	60	60	75	75	
Characteristic resistance in non-cracked concrete $N_{Rk,p}$ C20/25	$50^\circ C^2)/80^\circ C^3)$ $72^\circ C^2)/120^\circ C^3)$	[kN]	40	50	50	60	- ¹⁾		115	- ¹⁾		
with $C_{cr,sp} = 1.5 h_{ef}$	$C_{cr,sp}$	[mm]	- ¹⁾						1.5 h_{ef}			
Characteristic resistance in non-cracked concrete $N_{Rk,p}$ C20/25	$50^\circ C^2)/80^\circ C^3)$ $C_{cr,sp}$	[mm]	2 h_{ef}	2 h_{ef}	2 h_{ef}	2 h_{ef}	1.5 h_{ef}	1.5 h_{ef}	2 h_{ef}	1.5 h_{ef}	1.8 h_{ef}	
Partial safety factor	γ_{Mc} ⁴⁾⁵⁾	-	1.5									
Pullout and splitting for reduced minimum thickness of concrete												
Minimum thickness of concrete	$h_{min,2} \geq$	[mm]	130	150	160	180	160	220	240	260	290	
Characteristic resistance in cracked concrete $N_{Rk,p}$ C20/25	$50^\circ C^2)/80^\circ C^3)$ $72^\circ C^2)/120^\circ C^3)$	[kN]	- ¹⁾									
Characteristic resistance in non-cracked concrete $N_{Rk,p}$ C20/25	$50^\circ C^2)/80^\circ C^3)$ $72^\circ C^2)/120^\circ C^3)$	[kN]	20	30	50	50	30	60	60	75	75	
Characteristic resistance in non-cracked concrete $N_{Rk,p}$ C20/25	$50^\circ C^2)/80^\circ C^3)$ $72^\circ C^2)/120^\circ C^3)$	[kN]	35	50	40	50	-	75	75	115	115	
with $C_{cr,sp} = 1.5 h_{ef}$	$C_{cr,sp}$	[mm]	1.5 h_{ef}				-		1.5 h_{ef}			
Characteristic resistance in non-cracked concrete $N_{Rk,p}$ C20/25	$50^\circ C^2)/80^\circ C^3)$ $C_{cr,sp}$	[mm]	2.5 h_{ef}	2.5 h_{ef}	3.0 h_{ef}	2.5 h_{ef}	2.5 h_{ef}	2.6 h_{ef}	2.2 h_{ef}	2.2 h_{ef}	2.2 h_{ef}	
Partial safety factor	γ_{Mc} ⁴⁾⁵⁾	-	1.5									
Concrete cone failure												
Effective anchorage depth	h_{ef}	[mm]	90	105	125	145	115	170	190	200	225	
Spacing	$S_{cr,N}$	[mm]	3 h_{ef}									
Edge distance	$C_{cr,N}$	[mm]	1.5 h_{ef}									
Partial safety factor	γ_{Mc} ⁴⁾	-	1.5									
Increasing factors for $N_{Rk,p}$	Ψ_C											
	C25/30	-	1.10									
	C30/37	-	1.22									
	C35/45	-	1.34									
	C40/50	-	1.41									
	C45/55	-	1.48									
	C50/60	-	1.55									

1) Pullout failure is not decisive

3) Maximum short term temperature

5) The partial safety factor $\gamma_2 = 1,0$ is included

2) Maximum long term temperature

4) In absence of other national regulations

6) Applies only if $C_{cr,sp} \geq 3 h_{ef}$ **Table 9b: Displacements under tension loads M16 – M24**

Anchor size		90 M16	105 M16	125 M16	145 M16	115 M20	170 M20 (LG)	190 M20 (LG)	200 M24 (LG)	225 M24 (LG)
Tension load in cracked concrete	N	[kN]	14.6	18.4	24.0	30.0	21.1	38.0	44.9	57.9
Displacement	δ_{N0}	[mm]	0.7	0.7	0.7	0.8	0.7	0.8	0.8	0.9
	$\delta_{N\infty}$	[mm]	1.3				1.1	1.3		
Tension load in non-cracked concrete	N	[kN]	20.5	25.9	33.0	35.7	29.6	53.3	63.0	81.1
Displacement	δ_{N0}	[mm]	0.6	0.6	0.6	0.6	0.5	0.6	0.6	0.6
	$\delta_{N\infty}$	[mm]	1.3				1.1	1.3		

MKT Injection System VMZ A4

Design method A, M16 - M24
Characteristic values of resistance to tension loads,
Displacements

Annex 8

of European
Technical Approval

ETA-04/0092

**Table 10a: Characteristic values of resistance to shear loads for design method A
M8 – M12**

Anchor size			40 M8	50 M8	60 M10	75 M10	70 M12	80 M12	95 M12	100 M12	110 M12	125 M12
Steel failure without lever arm												
Characteristic shear resistance	$V_{Rk,s}$	[kN]	15	15	23	23	34	34	34	34	34	34
Partial safety factor	γ_{Ms} ¹⁾		1.25									
Steel failure with lever arm												
Characteristic bending moments	$M^0_{Rk,s}$	[Nm]	30	30	60	60	105	105	105	105	105	105
Partial safety factor	γ_{Ms} ¹⁾		1.25									
Concrete pryout failure												
Factor in equation (5.6) ETAG Annex C, 5.2.3.3	k	-	2									
Partial safety factor	γ_{Mcp} ¹⁾	-	1.5 ²⁾									
Concrete edge failure												
Effective length of anchor in shear load	l_f	[mm]	40	50	60	75	70	80	95	100	110	112 ³⁾
Diameter of anchor	d_{nom}	[mm]	10	10	12	12	14	14	14	14	14	14
Partial safety factor	γ_{Mc} ¹⁾	-	1.5 ²⁾									

¹⁾ In absence of other national regulations

²⁾ The partial safety factor $\gamma_2 = 1,0$ is included

³⁾ $l_f/d_{nom} \leq 8$

Table 11a: Displacements under shear loads M8 – M12

Anchor size			40 M8	50 M8	60 M10	75 M10	70 M12	80 M12	95 M12	100 M12	110 M12	125 M12
Shear load in non-cracked concrete	V	[kN]	8.3	8.3	13.3	13.3	19.3	19.3	19.3	19.3	19.3	19.3
Displacements	δ_{V0}	[mm]	2.4	2.5	2.9	2.9	3.3	3.3	3.3	3.3	3.3	3.3
	$\delta_{V\infty}$	[mm]	3.6	3.8	4.4	4.4	5.0	5.0	5.0	5.0	5.0	5.0

MKT Injection System VMZ A4

Design method A, M8 - M12
Characteristic values of resistance to shear loads,
Displacements

Annex 9

of European
 Technical Approval

ETA-04/0092

**Table 10b: Characteristic values of resistance to shear loads for design method A
M16 – M24**

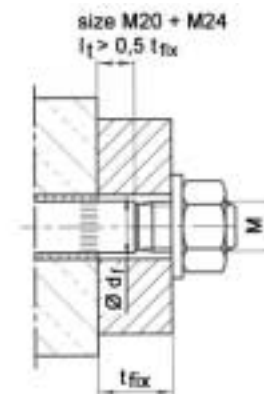
Anchor size			90 M16	105 M16	125 M16	145 M16	115 M20	170 M20 (LG)	190 M20 (LG)	200 M24 (LG)	225 M24 (LG)
Characteristic shear resistance	$V_{Rk,s}$	[kN]	63	63	63	63	86	131 ²⁾ (86)	131 ²⁾ (86)	156 ²⁾ (123)	156 ²⁾ (123)
Partial safety factor	γ_{Ms} ¹⁾		1.25				1.4	1.25			
Characteristic bending moments	$M_{Rk,s}^0$	[Nm]	266	266	266	266	454	454	454	784	784
Partial safety factor	γ_{Ms} ¹⁾		1.25				1.4	1.25			
Concrete pryout failure											
Factor in equation (5.6) ETAG Annex C, 5.2.3.3	k	-	2								
Partial safety factor	γ_{Mcp} ¹⁾	-	1.5 ³⁾								
Concrete edge failure											
Effective length of anchor in shear load	l_f	[mm]	90	105	125	144	115	170	190	200	208 ⁴⁾
Diameter of anchor	d_{nom}	[mm]	18	18	18	18	22	24	24	26	26
Partial safety factor	γ_{Mc} ¹⁾	-	1.5 ³⁾								

¹⁾ In absence of other national regulations

²⁾ This values may only be applied if $l_t > 0.5 t_{fix}$ is ensured

³⁾ The partial safety factor $\gamma_2 = 1,0$ is included

⁴⁾ $l_f/d_{nom} \leq 8$

**Table 11b: Displacements under shear loads M16 – M24**

Anchor size			90 M16	105 M16	125 M16	145 M16	115 M20	170 M20 (LG)	190 M20 (LG)	200 M24 (LG)	225 M24 (LG)
Shear load in non-cracked concrete	V	[kN]	36	36	36	36	44	75 (49)	75 (49)	89 (71)	89 (71)
Displacements	δ_{v0}	[mm]	3.8	3.8	3.8	3.8	3.0	4.3 (3.0)	4.3 (3.0)	4.6 (3.5)	4.6 (3.5)
	$\delta_{v\infty}$	[mm]	5.7	5.7	5.7	5.7	4.5	6.5 (4.5)	6.5 (4.5)	6.9 (5.3)	6.9 (5.3)

MKT Injection System VMZ A4

Design method A, M16 – M24
Characteristic values of resistance to shear loads,
Displacements

Annex 10

of European
 Technical Approval

ETA-04/0092